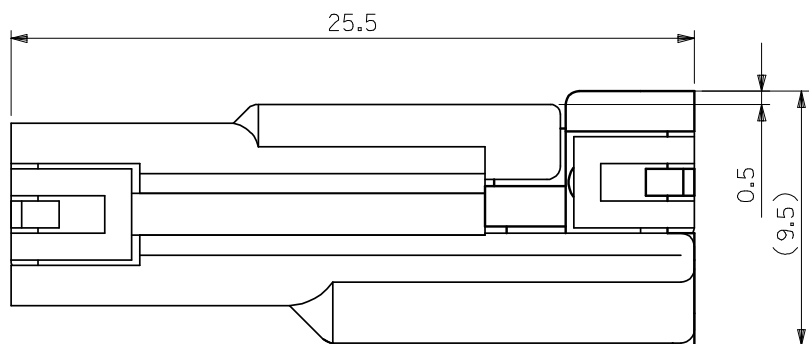
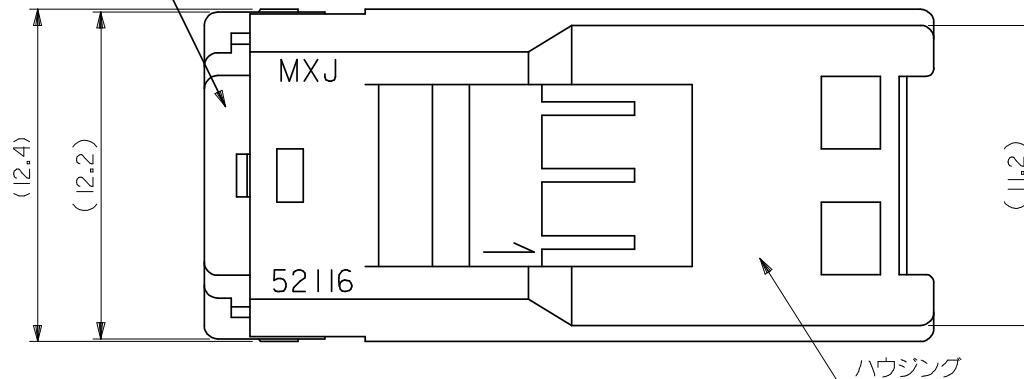
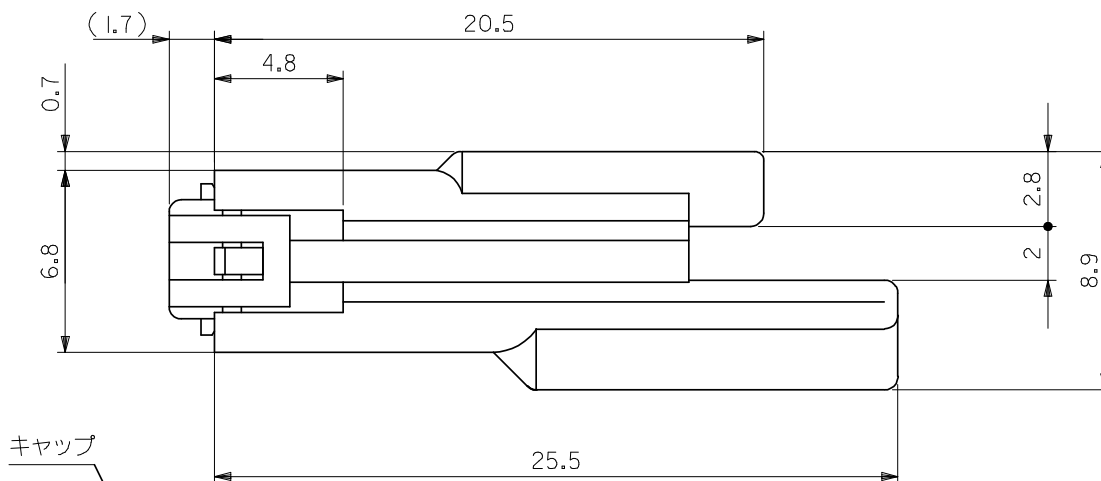


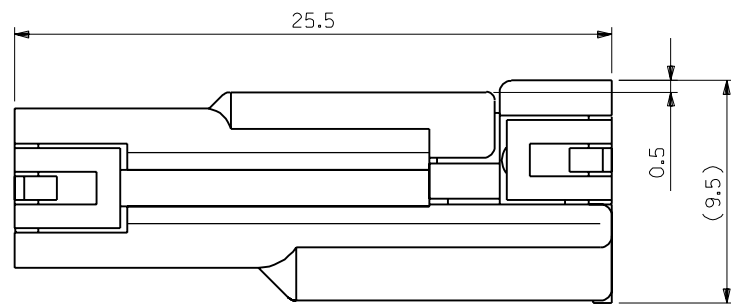
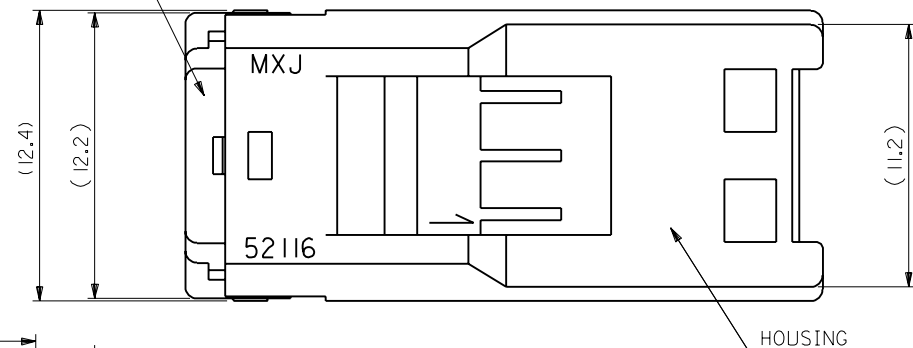
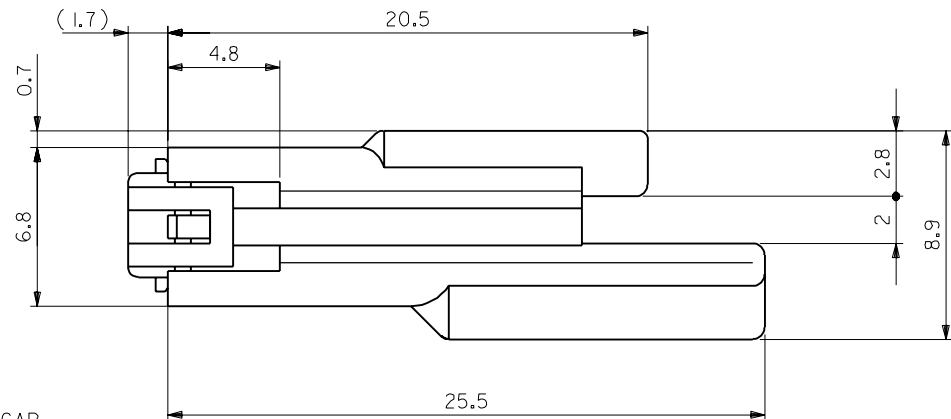
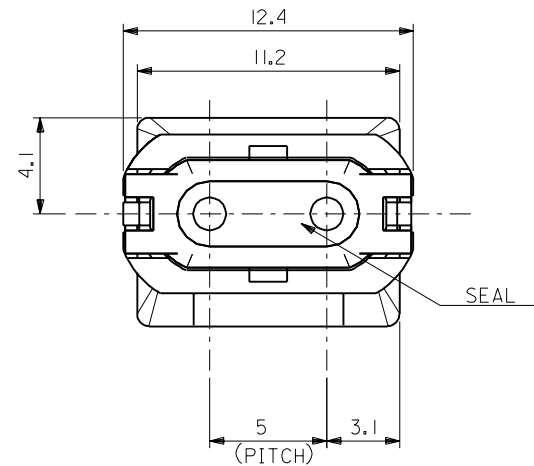
- 1.適合ターミナル: 50038-8\*00  
APPLICABLE TERMINAL: 50038-8\*00
- 2.材料  
MATERIAL  
キャップ: ポリエステル(ガラス15%含有)  
CAP: POLYESTER(15% GF)  
ハウジング: ポリエステル(ガラス15%含有)  
HOUSING: POLYESTER(15% GF)  
シール: シリコンゴム  
SEAL: SILICONE RUBBER
- 3.嵌合相手: 52117-02\*\*  
MATE WITH: 52117-02\*\*
- 4.表の色はハウジング色を表す。  
HOUSING COLOR IS SHOWN IN CHART
- 5.ELV及びRoHS適合品  
ELV AND RoHS COMPLIANT



嵌合状態図  
FULLY MATED CONDITION

AVSS0.3, AWG#20-22	白 WHITE	52116-0243
AVS0.3, AWG#20-22	赤 RED	52116-0242
AVS0.3, AWG#20-22	黒 BLACK	52116-0241
AVS0.3, AWG#20-22	白 WHITE	52116-0240
適応電線範囲 APPLICABLE WIRE RANGE	色 COLOR	ENG. NO.

REVISED & REDRAWN EC NO: JTR2009-0017 DRWN: T. IIDA01 2008/07/23 CHKD: TAITO 2008/07/23 APPR: AKANESHIGE 2008/07/23	GENERAL TOLERANCES (UNLESS SPECIFIED)		DIMENSION STYLE MM ONLY		SCALE 5:1	DESIGN UNITS METRIC	THIRD ANGLE PROJECTION	
	10 UNDER	±0.2	DRAWN BY Y. ASHIZAWA		DATE 1988/7/8		2.5 SPLASH PROOF CONN. PLUG HSG ASSY W/POSITIVE LOCK	
	10 OVER 30 UNDER	±0.25	CHECKED BY M. SAKANO		DATE 1988/7/8			
	30 OVER	±0.3	APPROVED BY M. ENOMOTO		DATE 1988/7/8		MOLEX INCORPORATED	
	ANGULAR	±3	MATERIAL NO.		DOCUMENT NO.			
DRAFT WHERE APPLICABLE MUST REMAIN WITHIN DIMENSIONS		SEE CHART		SD-52116-02**		1 OF 1		
THIS DRAWING CONTAINS INFORMATION THAT IS PROPRIETARY TO MOLEX INCORPORATED AND SHOULD NOT BE USED WITHOUT WRITTEN PERMISSION								



FULLY MATED CONDETION

- NOTES**
- ACCEPTS CRIMP TERMINAL:50038-8\*00
  - MATE'L :  
 CAP ;POLYESTER(15%G.F.)  
 HOUSING;POLYESTER(15%G.F.)  
 SEAL ;SILICONE
  - MATES WITH:52117-02\*\*
  - COLOR IN THE CHART INDICATES HOUSING COLOR

AVSO.3, AWG*20-22	RED	52116-0242
AVSO.3, AWG*20-22	BLACK	52116-0241
AVSO.3, AWG*20-22	WHITE	52116-0240
WIRE RANGE	COLOR	ENG. NO.

材料 MATERIAL		SEE NOTES	molex MOLEX-JAPAN CO.,LTD. 日本モレックス株式会社	
仕上げ FINISH		//	EDP. NO. //	
適用電線範囲 WIRE RANGE		SEE CHART	ENG. NO.	REV A
被覆外径 INS. RANGE		φ1.8-1.9	SD-52116-02**	
DRAWN BY 7/8/88 Y.ASHIZAWA		CHK'D BY M.SAKANO	TITLE 名称 2.5 SPLASH PROOF CONN. PLUG HS'G ASS'Y W/POSITIVE LOCK	
APP'D BY M.ENOMOTO		尺度 SCALE 5-1		
角度 ANGLE	±3°			
30以上 OVER	+0.3	A	REVISED (J9021B)	3/16/89
10以上 30未滿 UNDER	+0.25	O	RELEASED(J80600)	7/8/88
10未滿 UNDER	+0.2	記号 LTR	変更内容 REVISION RECORD	DR. CHK. DATE
一般公差 GENERAL TOLERANCES		REVISE ONLY ON CAD SYSTEM		